

Electronic Dryer User Manual

— AID500-UV —



Applicable Model
AID500-UV



+86 512-69372012

Soundlink Co.,Ltd.

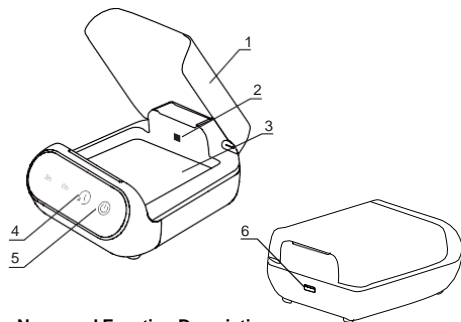
Overview

AID 500 electronic dryer is specially designed for daily dry dehumidification and sterilization and disinfection of precision electronic products such as hearing aids. This product uses a microprocessor to accurately control the temperature, AID 500 can reach the set constant temperature in a short time, and has obvious dehumidification effect. The middle plate isolates the object from the heating system, dehumidifying the object by the heated air, and uses the fan to increase the flow of the gas, to further achieve efficient drying and dehumidification, thereby avoiding the excessive heating method caused by the conventional heating method and causing damage to the object.

Most of the hearing aid wearers are elderly and disabled people, who are physically weak and have poor resistance. Hearing aids are contaminated with sweat and earwax in the process of use, which is easy to breed bacteria and viruses and jeopardize health. This product adopts deep ultraviolet LED, can produce 275nm UVC ultraviolet light, directly kill bacteria and viruses on the surface of the hearing aid.

This product is compact, easy to carry and stable in performance. It is a necessary dehumidifier for both home and travel use.

External Structure



Name and Function Description

1. Upper cover
2. UV-LED light
3. Drying chamber
4. Timer icon
5. Start icon
6. Power interface

Technical Parameters

1. Power supply: DC 5V/1A;
2. Rated power: $\leq 5W$;
3. Optional drying time: 3h, 6h;
4. UV sterilization time: 30min;
5. Constant temperature: $\leq 35^{\circ}C$;

Use Environment

1. Ambient Environment: $0-40^{\circ}C$;
2. Air relative humidity: $\leq 80\%RH$ (when temperature is $25^{\circ}C$);
3. No flammable or corrosive gas or conductive dust exist in the surrounding air.

Operation Method

1. When the power is plugged in, the timing and startup icons light up at the same time (white), and the standby state is displayed;
2. Wipe off the water stains and oil stains on the hearing aid surface before drying, open the battery compartment and remove the battery, put the hearing aid into the drying chamber and close the upper cover;

3. Touch the start icon, the timing and startup light icons turn yellow. The 3h timing icon is displayed in white, can be timed by touch the icon switches between 3h and 6h. At the same time, the UV-LED sterilizing lamp will light up to sterilize and disinfect, and will go out after 30 minutes. If you open the top cover during use, the UV-LED light will automatically go out to prevent damage to human eyes.
4. After the work is finished, the timing and start icons turn white, and the hearing aid is now in standby, take out the hearing aid, and finish drying;
5. During the drying process, you can touch the start icon again to end the work.

Package list

No.	Item Name	Model/Specification	Quantity
1	Electronic Dryer	AID 500	1
2	Power Cable	Type-C	1
3	User Manual	AID 500Series	1
4	Power Adapter	5.0V/1.0A	1

Precautions

1. Must use the power supply with an output voltage of 5V DC and an output current $\geq 1A$;
2. Must wipe off the water and oil stains on the surface and remove the battery before drying;
3. Do not dry for more than 12 hours per day;
4. For hearing aids that have been contaminated by battery leakage, please cleaned them before drying;
5. It is strictly forbidden to cover the dryer during working time;
6. Please unplug the power plug in time after finish drying;
7. Do not disassemble and repair by yourself.

SOUNDLINK

Soundlink Co.,Ltd.



2F-1#Building North, No.89 Songshan Road, Shishan Industrial Complex Park, New District(Huqiu District), Suzhou, China 215129
+86 512-69372012
info@soundlink.com.cn
www.soundlink.cn